

NanoPi NEO

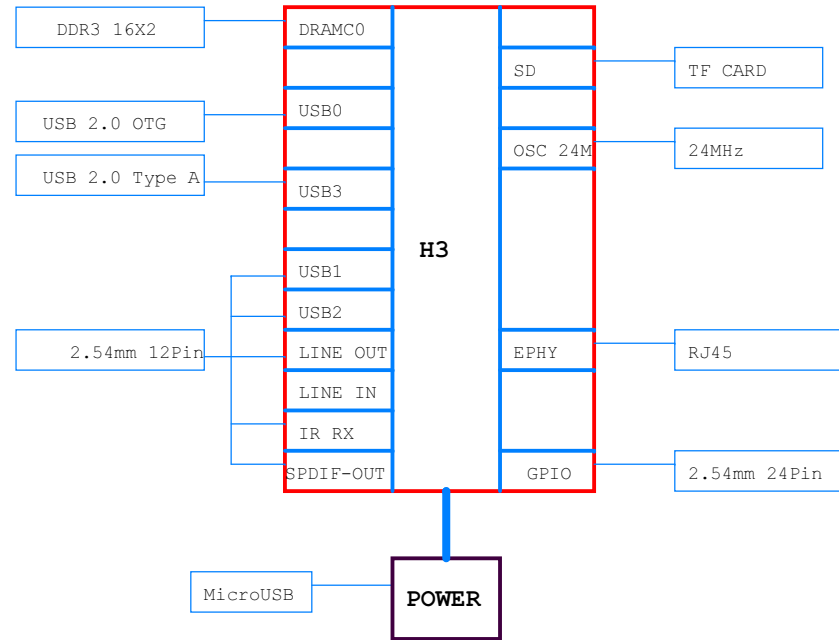
Revision

1606 , First Release

FRIENDLYARM

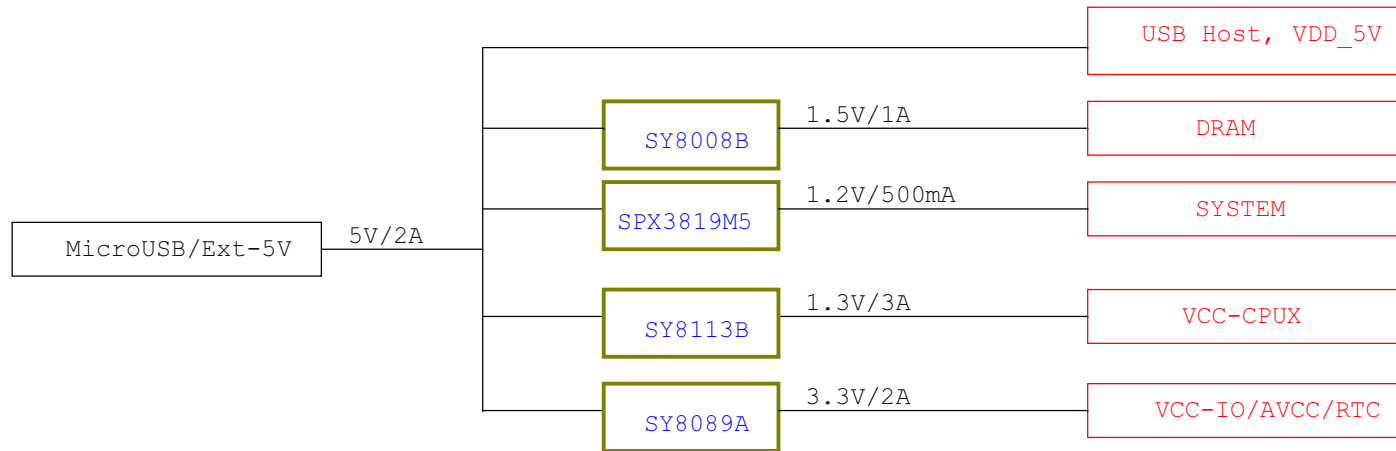
NanoPi NEO		
Size A3	Document Number 01:Title	Rev 1606
Date:	Tuesday, July 05, 2016	Sheet 1 of 11

BLOCK



FRIENDLYARM

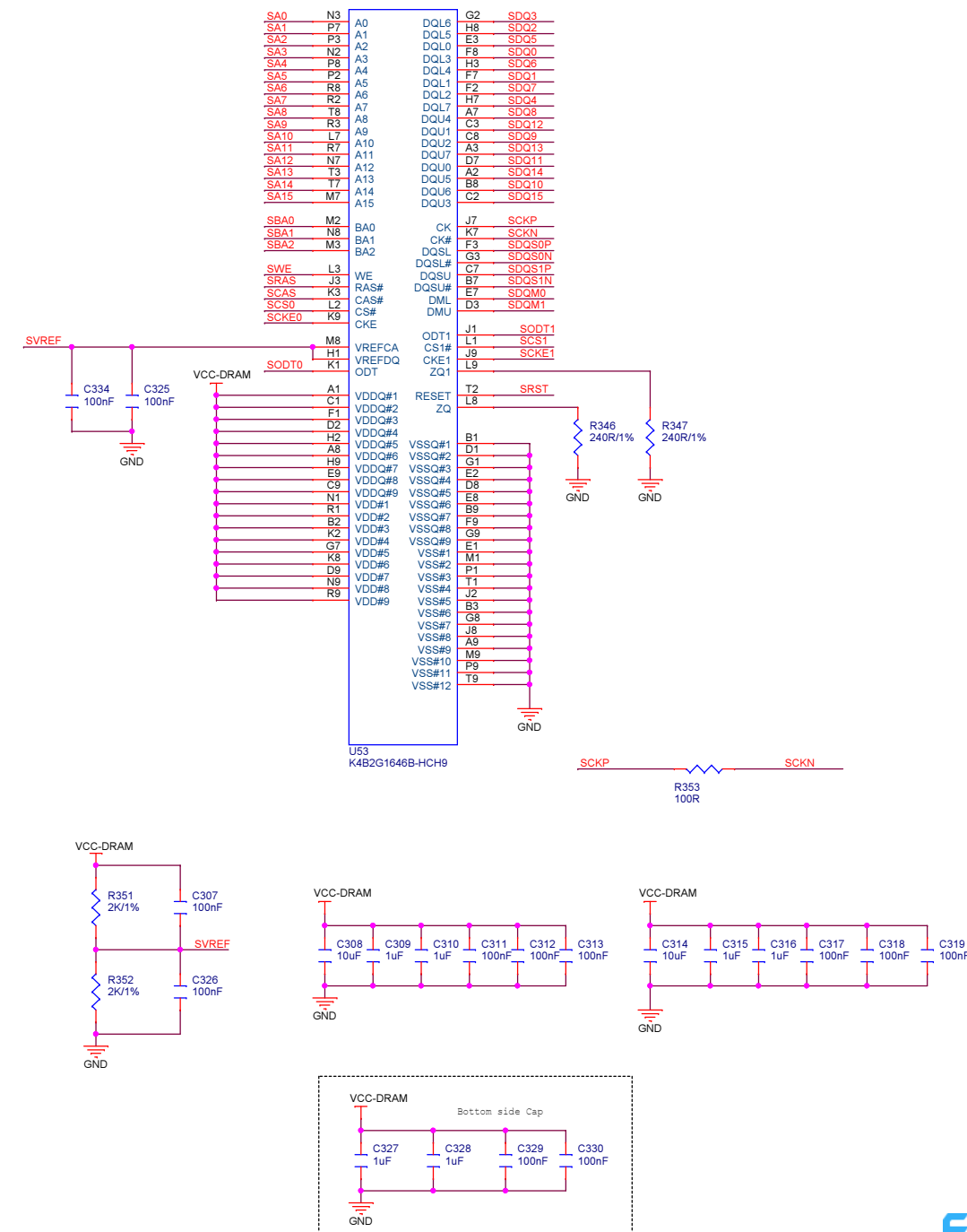
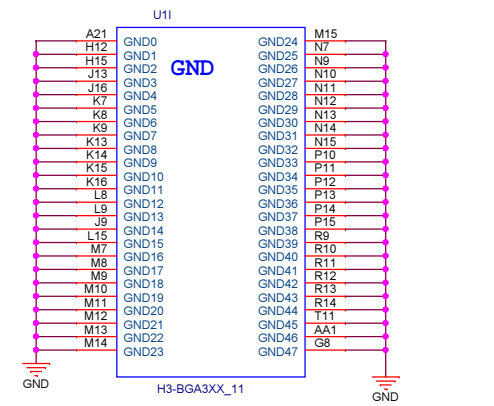
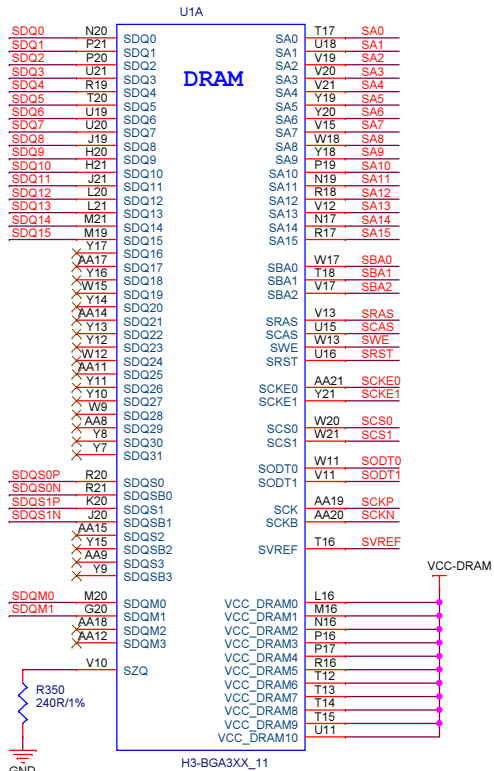
POWER TREE



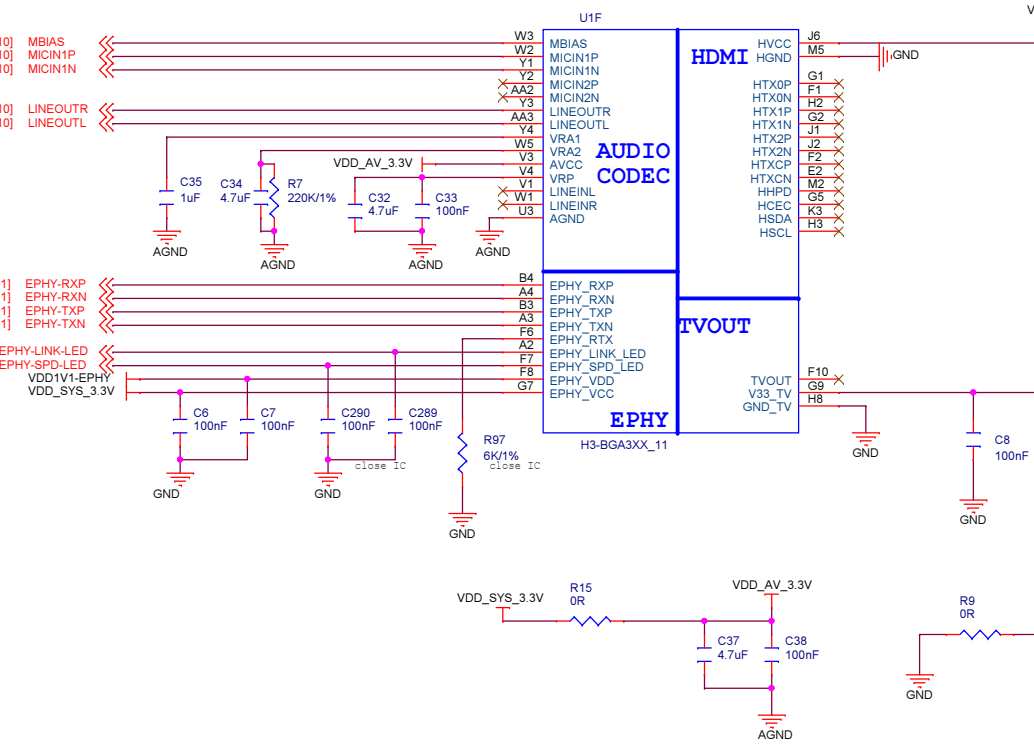
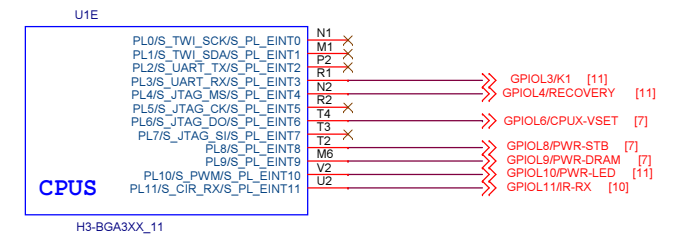
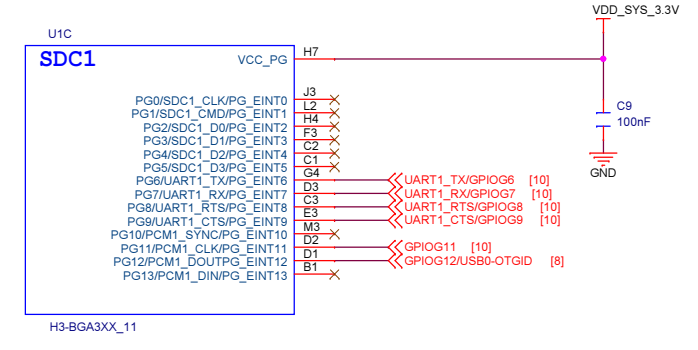
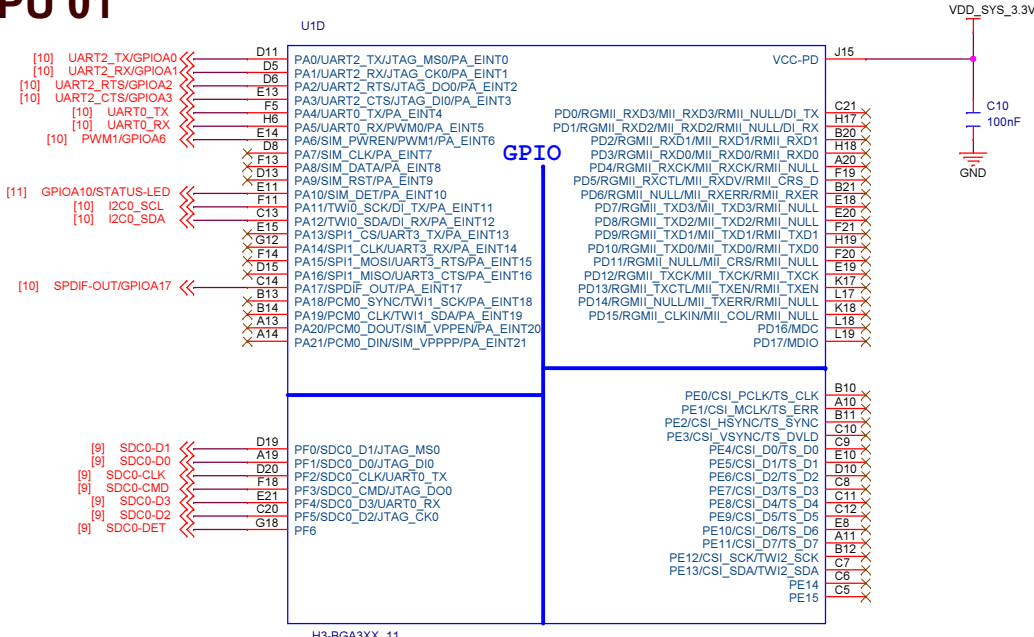
FRIENDLYARM

NanoPi NEO		
Size A3	Document Number 03:Power Tree	Rev 1606
Date:	Tuesday, July 05, 2016	Sheet 3 of 11

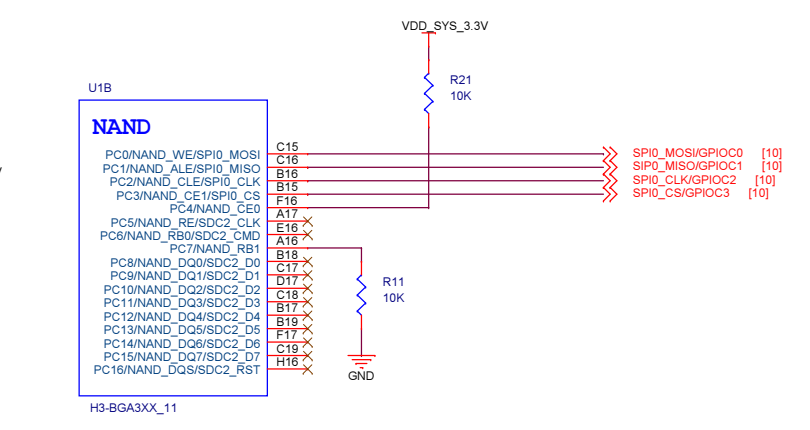
DDR3 16x1



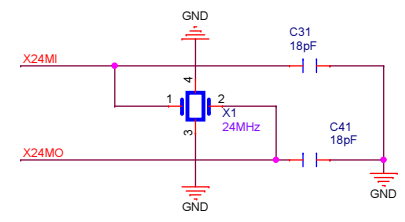
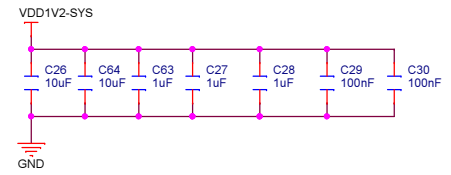
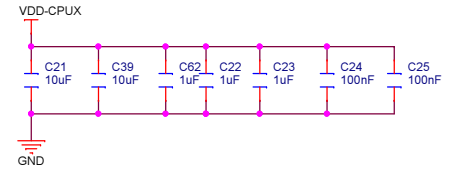
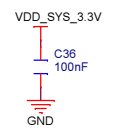
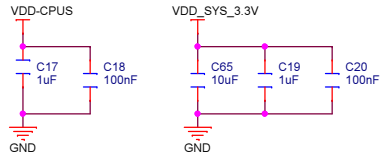
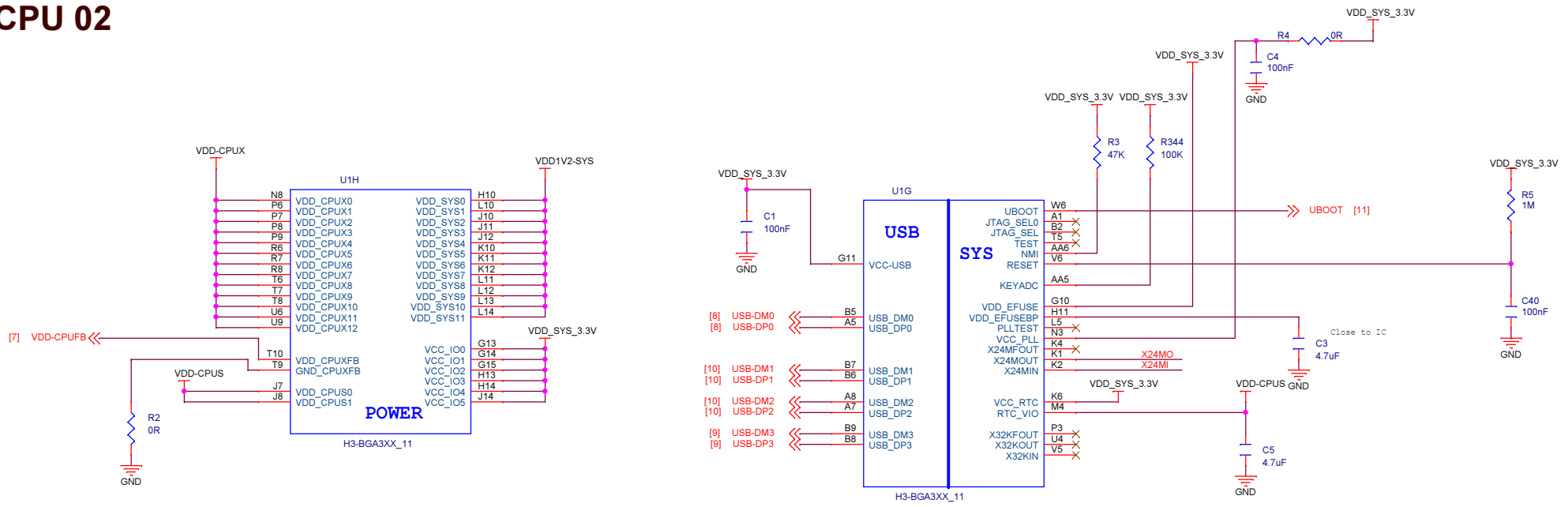
CPU 01



	PWRON/WORX	STANDBY	PWROFF
PWR-STB	1	0	0
PWR-DRAM	1	1	0

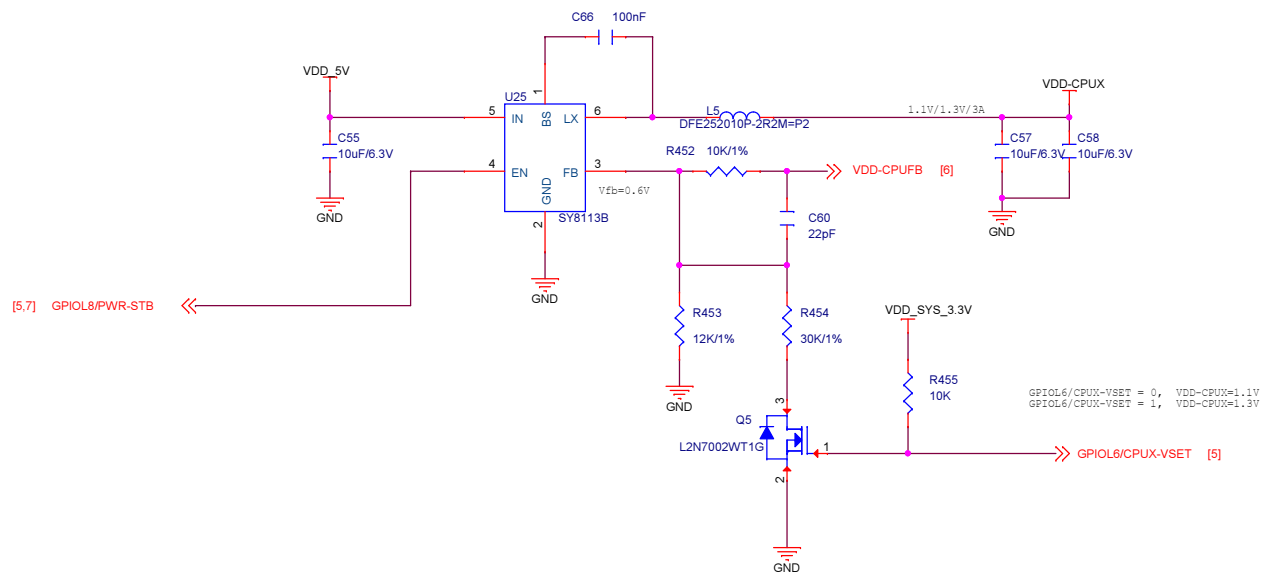
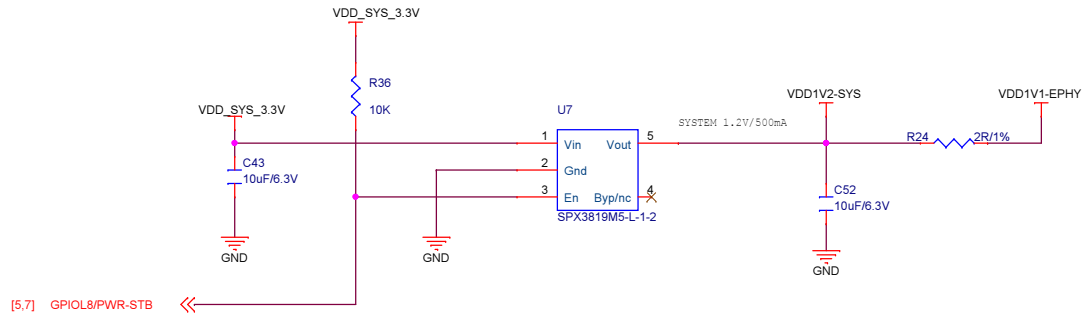
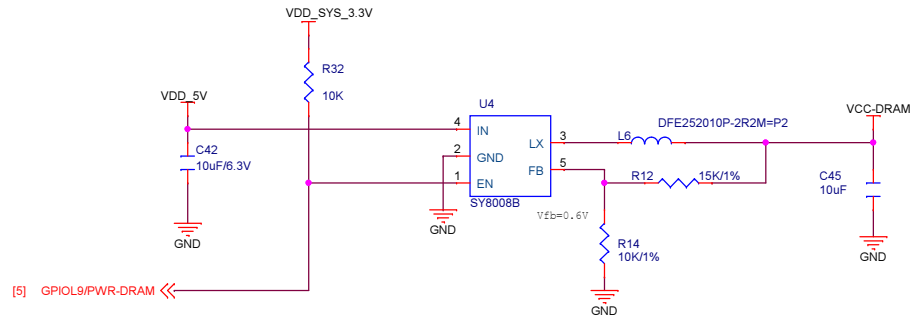


CPU 02



NanoPi NEO		
Size A3	Document Number 06:CPU-H3-02	Rev 1606
Date: Tuesday, July 05, 2016	Sheet 6	of 11

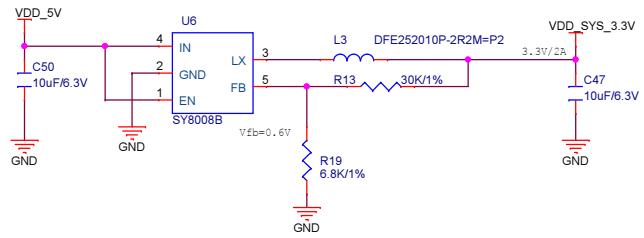
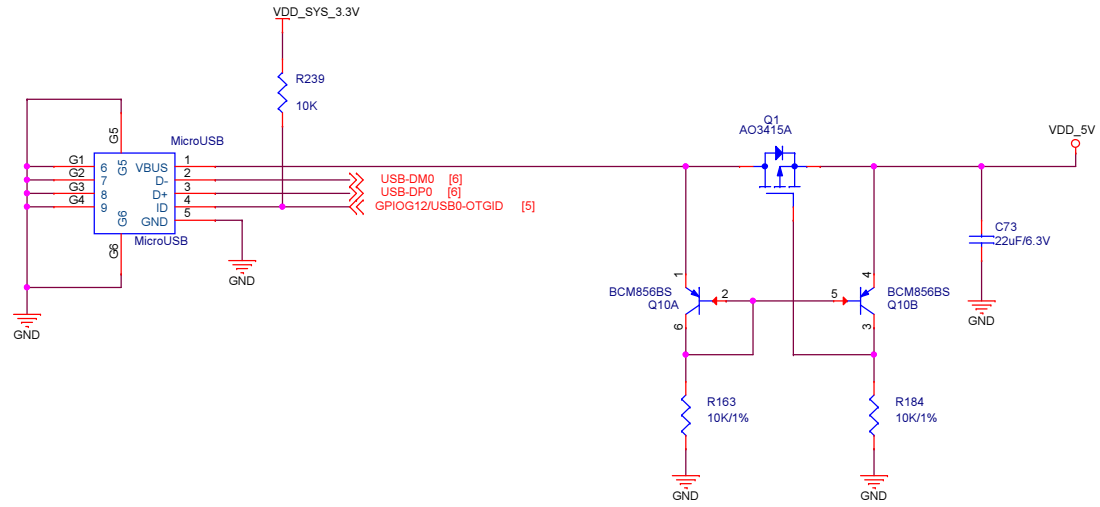
POWER 01



FRIENDLYARM

NanoPi NEO		
Size A3	Document Number 07:Power-01	Rev 1606
Date: Tuesday, July 05, 2016	Sheet 7	of 11

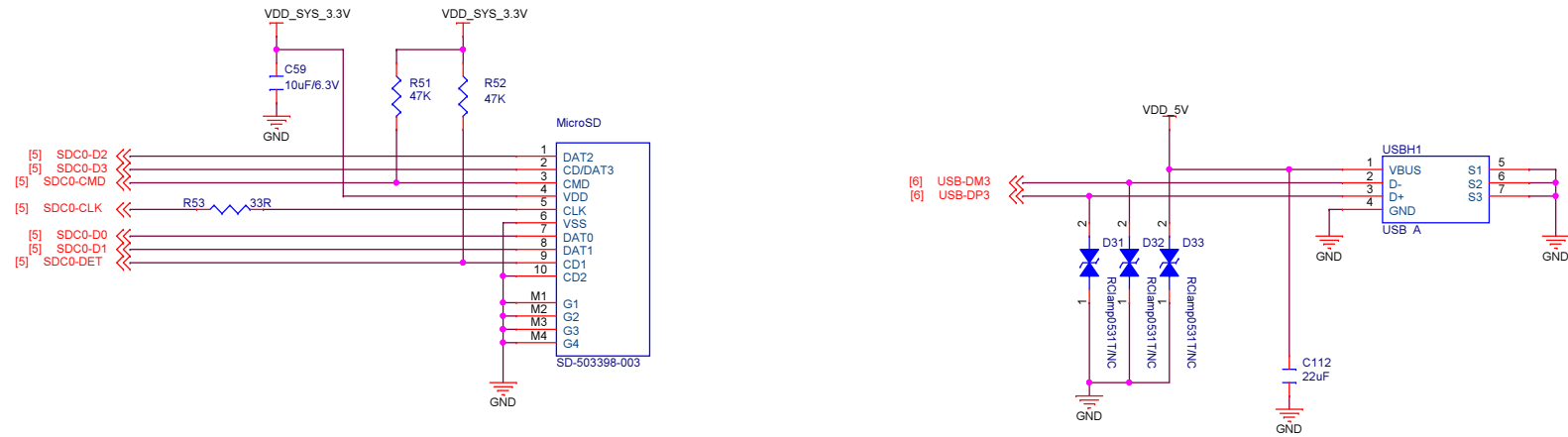
POWER 02



FRIENDLYARM

NanoPI NEO		
Size A3	Document Number 08:Power-02	Rev 1606
Date: Tuesday, July 05, 2016	Sheet 8	of 11

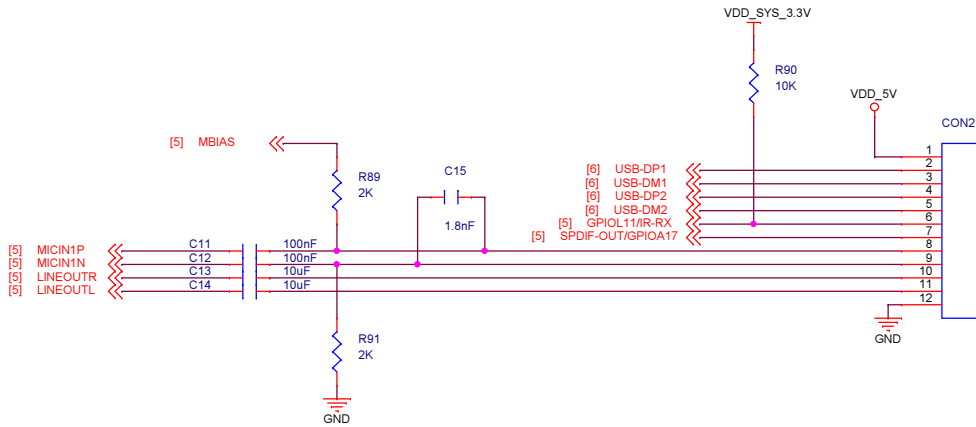
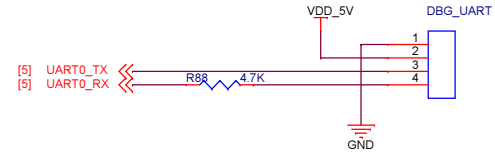
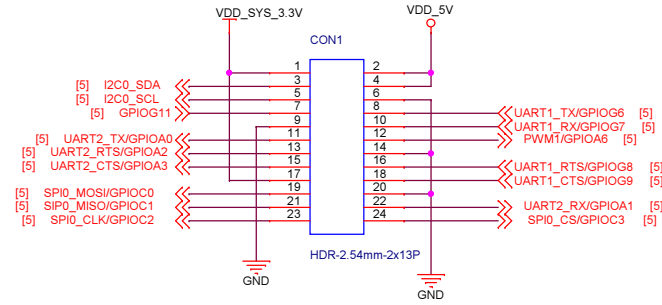
TF,USB Host



FRIENDLYARM

NanoPi NEO		
Size	Document Number	Rev
A3	09:Card,USB Host, AV	1606
Date:	Tuesday, July 05, 2016	Sheet 9 of 11

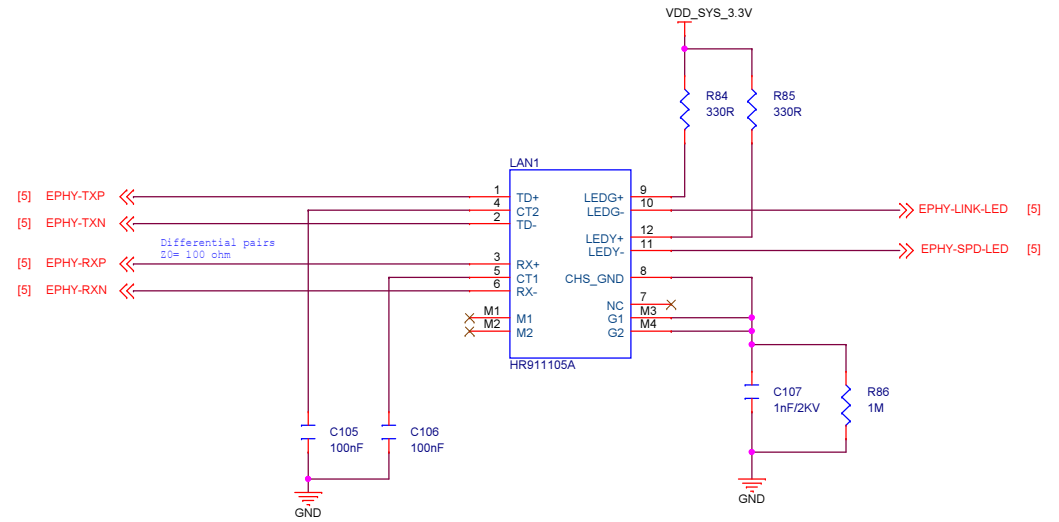
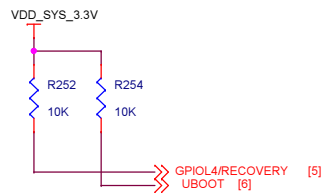
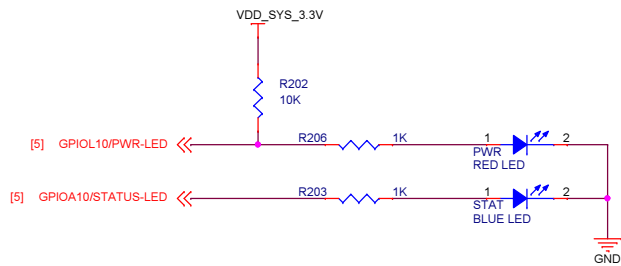
GPIO



FRIENDLYARM

NanoPi NEO		
Size	Document Number	Rev
A3	11:GPIO, CAM, IR	1606
Date:	Tuesday, July 05, 2016	Sheet 10 of 11

LEDs, LAN, Keys



FRIENDLYARM

NanoPi NEO		
Size A3	Document Number 12:LEDs, LAN, Keys	Rev 1606
Date: Tuesday, July 05, 2016	Sheet 11	of 11